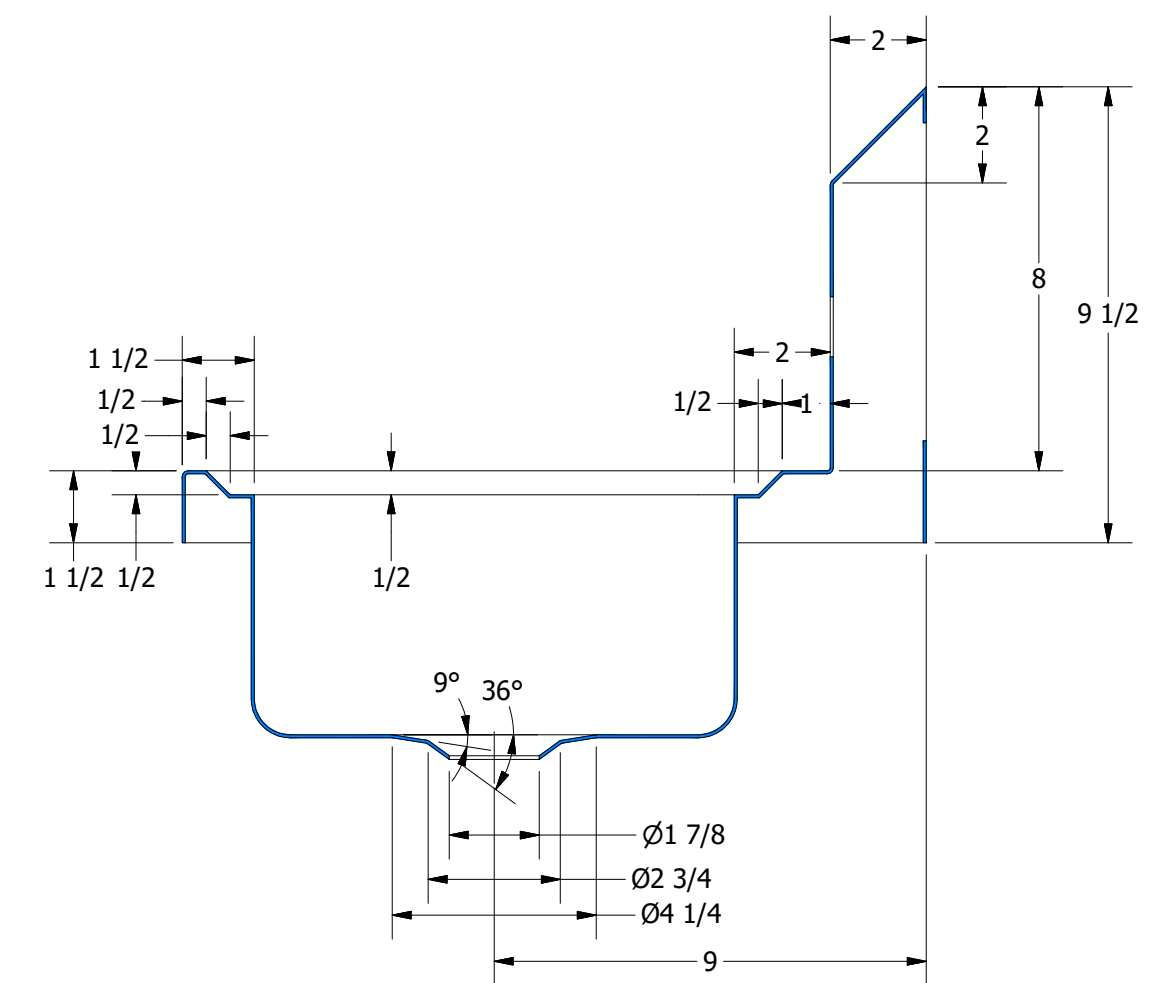
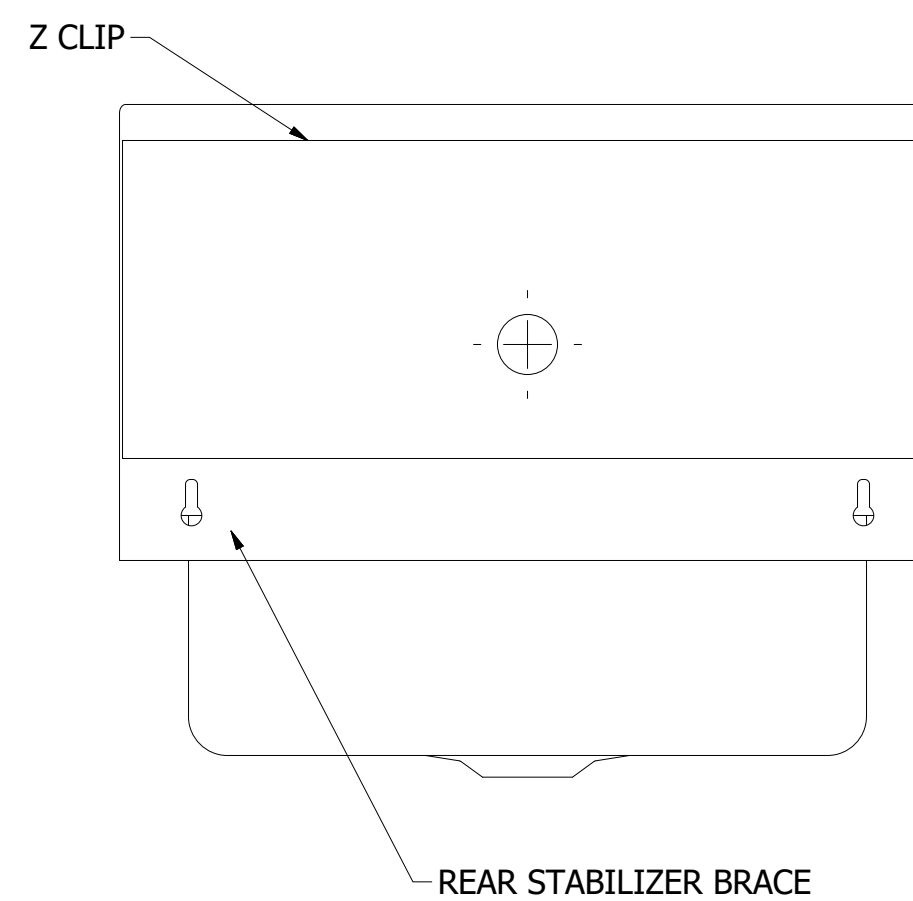


SECTION A-A
SCALE 1 / 4



SECTION B-B
SCALE 1 / 4

REV	DESCRIPTION	DATE	APPROVED
REVISION HISTORY			



PART NUMBER BR.60.110	TITLE BRAZOS HANDSINK
PRODUCT CATEGORY HANDWASH SINK	DESCRIPTION 16GA. SINK W. WALL MOUNTED SENSOR FAUCET, WITHOUT END SPLASH
THE INFORMATION CONTAINED IN THIS DRAWING IS THE SOLE PROPERTY OF GRIFFIN PRODUCTS, INC. ANY REPRODUCTION IN PART OR AS A WHOLE WITHOUT THE WRITTEN PERMISSION FROM GRIFFIN PRODUCTS, INC. IS PROHIBITED.	
DRW. BY / DATE DNZ 01/24/18	APPROVED BY / DATE
REV. SCALE 1 / 4	SIZE SHEET C 1 / 1