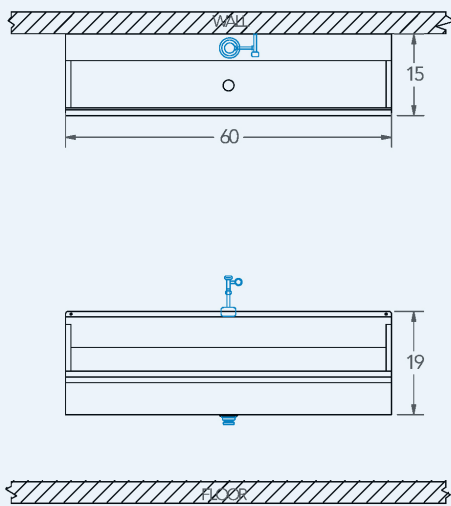


Paluxy

Model # PA.60FV

Flush Valve Urinal



Bowl (Lg x Wd x Dp)

60" x 15" x 19"

Overall (Lg x Wd)

60" x 15"

Faucets

N/A

Material

16 gauge, stainless steel

Faucet Holes

N/A

Drain

1 7/8" Dia Opening

Additional Features

- Sturdy unibody design
- Flat ends for sequential installation
- Integral flush reservoir
- Tile edge with holes for ease of installation
- Strainer drain
- Comes with flush valve
- 10 year warranty
- Made in Texas